

Catalina on Square Rose



Product Code: CA-R50-SC

Description:

An elegant, modern and clean-cut design, the Catalina lever door handle mounted on square backplate provides a distinguishing, aesthetic comfort with its soft lines.

Compliance:    

Rose/Plate Option Selected:

Full set

Size Selected:

Full set

Material:

Brass

Dimensions:

Overall h53 x w134.5 x d62 mm (see line drawing download)

Finish:

Satin Chrome



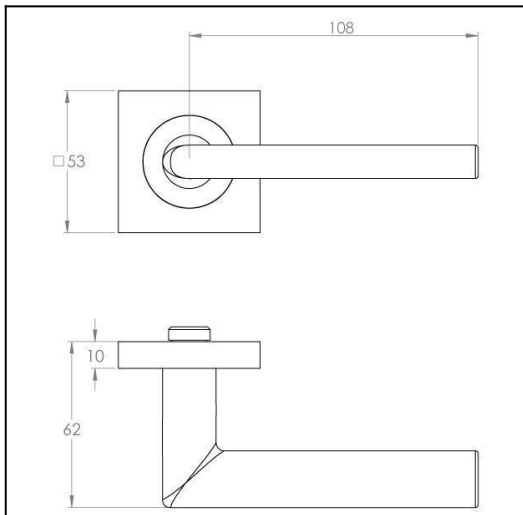
Door thickness:

Suits from 32mm to 52mm door as standard. For thicker doors longer screws and spindles are available.

Fixing:

Through bolt fixing, fully concealed. Self adjusting spindle 7.6mm to 8mm. Fits any lock or latch.

<http://www.designerdoorware.com.au/catalogue/16667>



Line Drawings

As a generic representation of the product, Line Drawings are designed for general use only and may not reflect specifics for all product options such as individual functions or sizes etc.

Contact Us

For any further clarification of this product information or for help and advice, please call us on +613 9300 8888.

Designer Doorware reserves the right to make changes in design, specification, or additions and improvements to our products without notice. Under no circumstances is Designer Doorware obliged to manufacture current products as previously supplied. Designer Doorware is not responsible for additions, alterations or assembly made to our products by others. By downloading this information, you accept and are bound by the Terms & Conditions of this website. For full Terms & Conditions and Product Warranty information refer to www.designerdoorware.com.au.

© Designer Doorware - 7 Kimpton Way, Altona VIC 3018 Australia.